

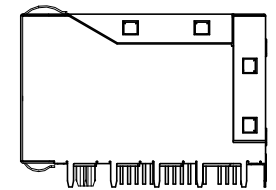
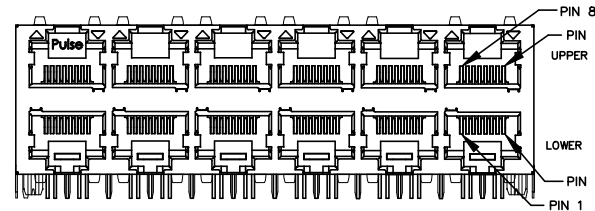
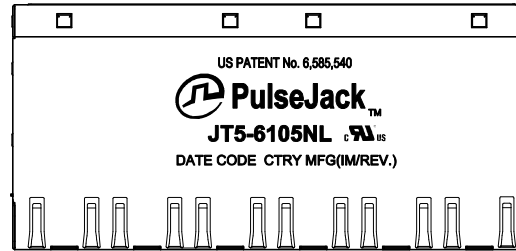


NOTES:

1. ROHS COMPLIANT.
2. PLASTIC HOUSING: THERMOPLASTIC MATERIAL WITH FLAMMABILITY RATING UL 94V-0 OR BETTER.
3. CONTACTS PLATING: 50 MICRO-INCH GOLD PLATING.
4. SIGNAL SOLDER PINS: TIN PLATED.
5. METAL SHIELD: NICKEL PLATED COPPER.
6. JACK CAVITY CONFORMS TO FCC PART 68 SUBPART F.
7. STORAGE TEMPERATURE: -20°C TO +125°C
8. COMPLIANT TO J-STD:
  - A. J-STD-002: SOLDERABILITY AT 245°C REFLOW PROFILE
  - B. J-STD-020: LEVEL 1, NO MOISTURE SENSITIVE
  - C. J-STD-075: W7, 270°C MAXIMUM THROUGH WAVE SOLDER



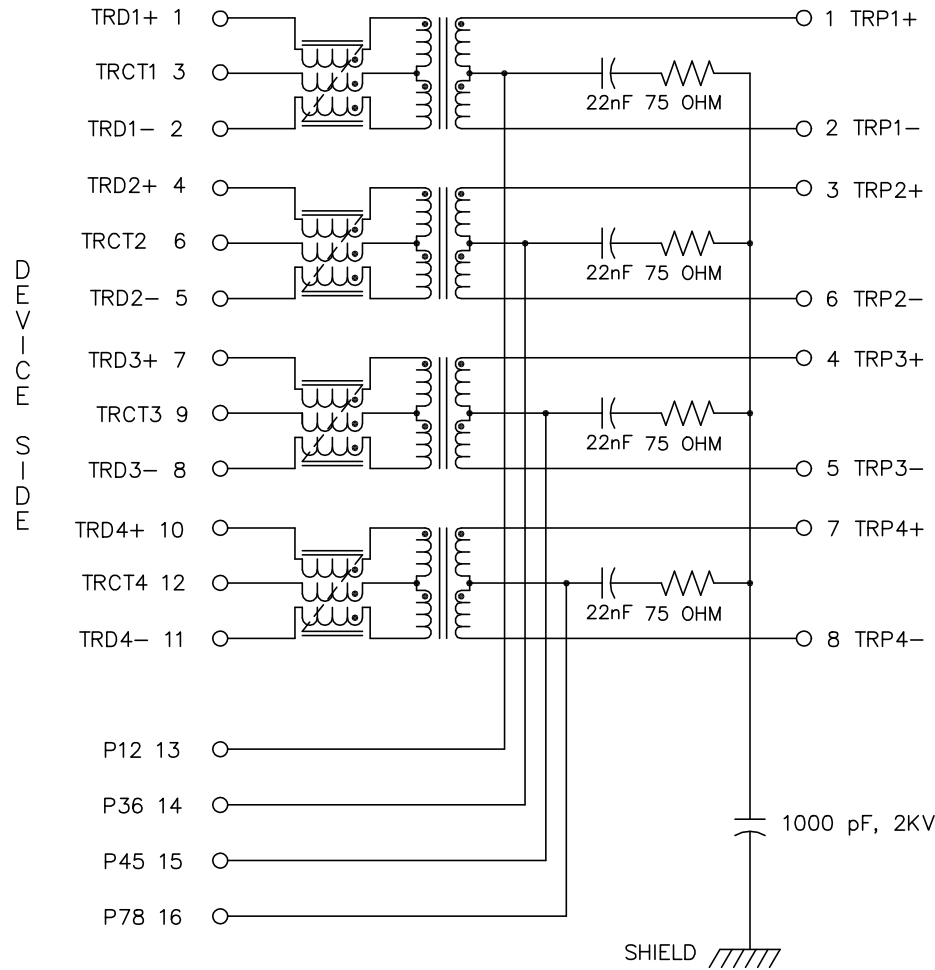
MAXIMUM SMT LED HEIGHT SHOULD NOT EXCEED 1.1mm.



FINAL OUTLINE

© Copyright, 2022. Pulse Electronics Corp. All rights reserved. Pulse confidential & proprietary. (07/08/22)

PRODUCT DESCRIPTION	TLA DRAWING	PS DRAWING	SHEET	PART NO.	DATASHEET REV.
CONN,RJ45,2X6,10GPP,1:1,TY	JT5-6105NL-P1	PS-2636.030-01	1 OF 6	JT5-6105NL	D



SCHMATIC  
PER PORT

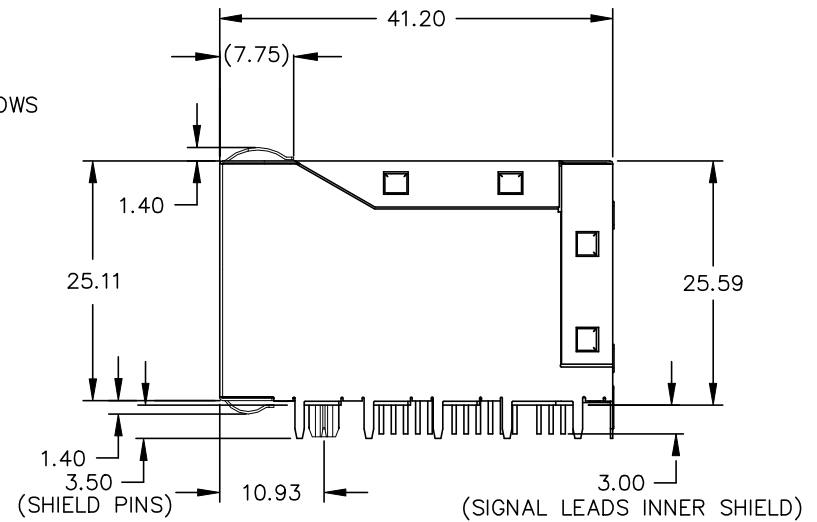
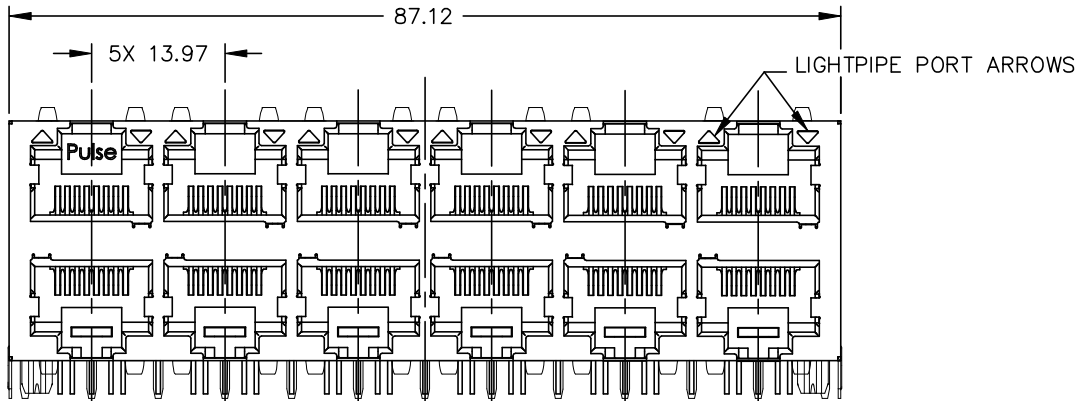
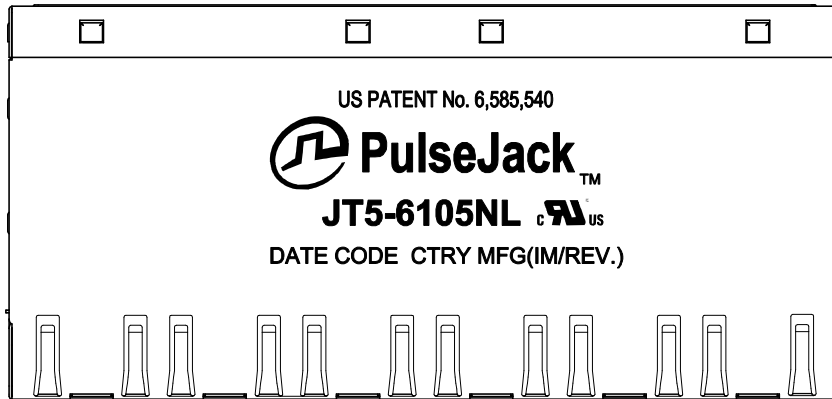
ELECTRICAL CHARACTERISTICS AT +25°C UNLESS OTHER SPECIFIED  
MEETS IEEE 802.3 SPECIFICATION

PARAMETER	SPECIFICATIONS		
OPERATING TEMP	0°C TO +70°C		
TURNS RATIO	1.00 ± 2%		
POLARITY	PER SCHEMATIC		
INSERTION LOSS	100 KHz	1-400 MHz	
	-3.0 dB MAX	-2.0 dB MAX (-1.4 dB TYP)	
RETURN LOSS (Z OUT = 100 OHM ± 1%)	1-100 MHz	100 MHz-500 MHz	
	-22 dB MIN	-22 +20.75*LOG <sub>10</sub> (f/100) dB MIN	
INDUCTANCE (OCL)	150 uH MIN @ 100 kHz, 100 mV WITH 15 mADC		
CROSSTALK, ADJACENT CHANNELS	1-100 MHz	100-500 MHz	
	-28 dB MIN	-19 dB MIN	
COMMON MODE REJECTION RATIO	1-40 MHz	40-100 MHz	100-500 MHz
	-30 dB MIN	-28 dB MIN	-26 dB MIN
COMMON TO DIFFERENTIAL MODE REJECTION (CDMR)	1-250 MHz	250-500 MHz	
	-30 dB MIN	-22 dB MIN	
MAXIMUM CONTINUOUS POE CURRENT, PER TWISTED PAIR	950 mA MAX		
MAXIMUM POE SURGE CURRENT, PER TWISTED PAIR	1000 mA MAX FOR 75 ms		
INPUT - OUTPUT ISOLATION	2250 VDC MIN @ 60 SECONDS		

NOTE: f IS FREQUENCY IN MHZ.

© Copyright, 2022. Pulse Electronics Corp. All rights reserved. Pulse confidential & proprietary. (07/08/22)

PRODUCT DESCRIPTION	TLA DRAWING	PS DRAWING	SHEET	PART NO.	DATASHEET REV.
CONN,RJ45,2X6,10GPP,1:1,TY	JT5-6105NL-P1	PS-2636.030-01	2 OF 6	JT5-6105NL	D

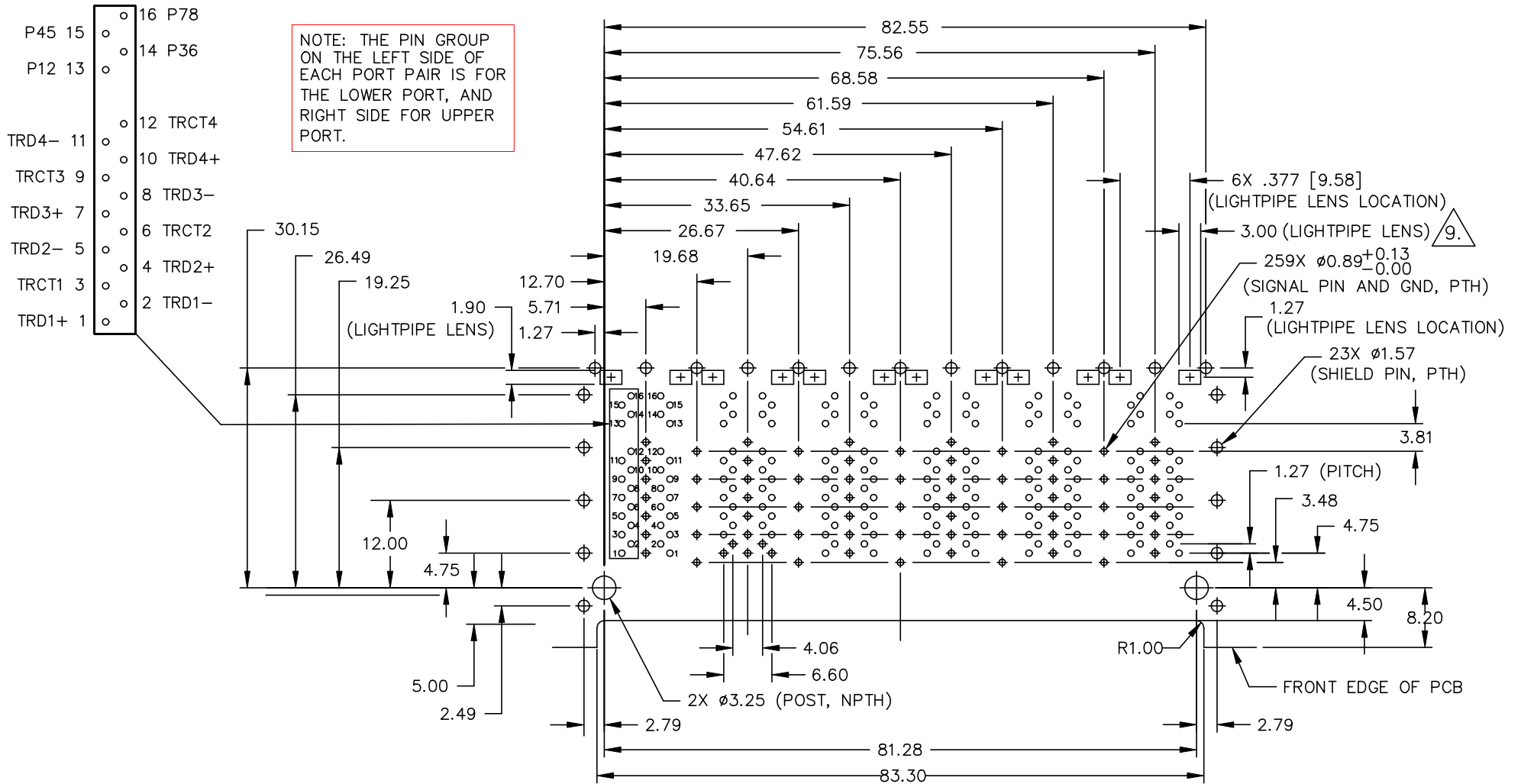


ALL DIMENSION ARE SHOWN IN MILLIMETERS.  
 UNLESS OTHERWISE SPECIFIED,  
 THE FOLLOWING TOLERANCES APPLY:

X.XX = ±0.25

© Copyright, 2022. Pulse Electronics Corp. All rights reserved. Pulse confidential & proprietary. (07/08/22)

PRODUCT DESCRIPTION	TLA DRAWING	PS DRAWING	SHEET	PART NO.	DATASHEET REV.
CONN,RJ45,2X6,10GPP,1:1,TY	JT5-6105NL-P1	PS-2636.030-01	3 OF 6	JT5-6105NL	D

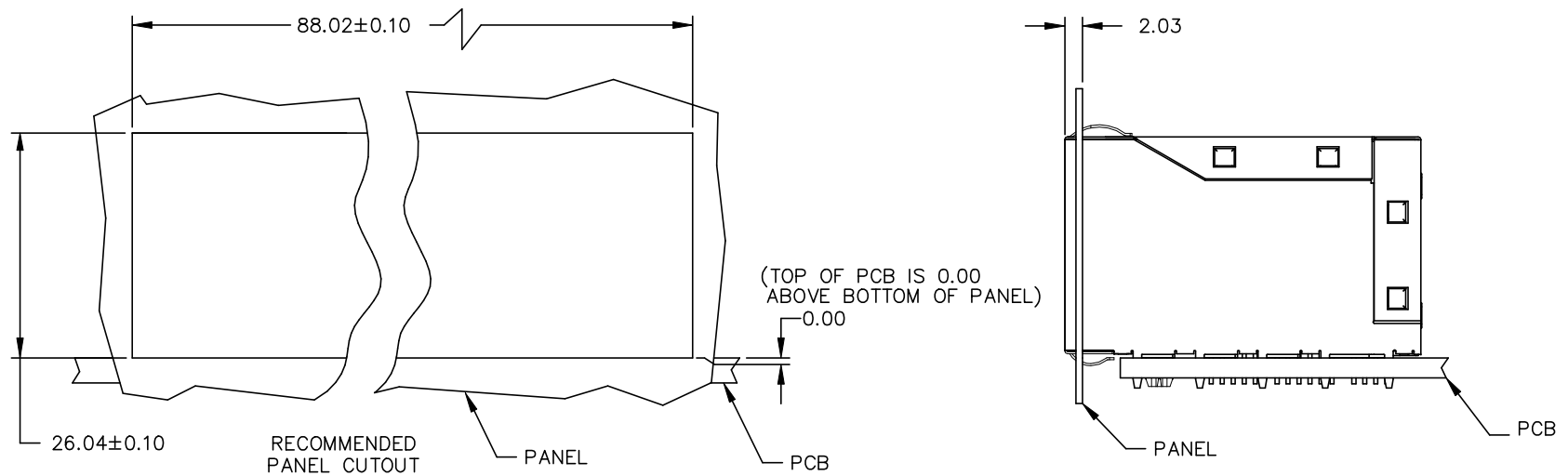


ALL DIMENSION ARE SHOWN IN MILLIMETERS.  
UNLESS OTHERWISE SPECIFIED,  
THE FOLLOWING TOLERANCES APPLY:  
X.XX = ±0.05

SUGGESTED FOOTPRINT (COMPONENT SIDE SHOWN)

© Copyright, 2022. Pulse Electronics Corp. All rights reserved. Pulse confidential & proprietary. (07/08/22)

PRODUCT DESCRIPTION	TLA DRAWING	PS DRAWING	SHEET	PART NO.	DATASHEET REV.
CONN,RJ45,2X6,10GPP,1:1,TY	JT5-6105NL-P1	PS-2636.030-01	4 OF 6	JT5-6105NL	D



ALL DIMENSION ARE SHOWN IN MILLIMETERS.  
UNLESS OTHERWISE SPECIFIED,  
THE FOLLOWING TOLERANCES APPLY:  
X.XX = ±0.25

© Copyright, 2022. Pulse Electronics Corp. All rights reserved. Pulse confidential & proprietary. (07/08/22)

PRODUCT DESCRIPTION	TLA DRAWING	PS DRAWING	SHEET	PART NO.	DATASHEET REV.
CONN,RJ45,2X6,10GPP,1:1,TY	JT5-6105NL-P1	PS-2636.030-01	5 OF 6	JT5-6105NL	D



CHANGE RECORD

REV	DESCRIPTION	DATE	APPROVED
C	UPDATE OCL FROM 180 uH MIN TO 150 uH MIN	06DEC17	BEZHOU
D	ADD PTH AND NPTH INFORMATION.	08JUL22	RICKWANG

© Copyright, 2022. Pulse Electronics Corp. All rights reserved. Pulse confidential & proprietary. (07/08/22)

PRODUCT DESCRIPTION	TLA DRAWING	PS DRAWING	SHEET	PART NO.	DATASHEET REV.
CONN,RJ45,2X6,10GPP,1: 1,TY	JT5-6105NL-P1	PS-2636.030-01	6 OF 6	JT5-6105NL	D